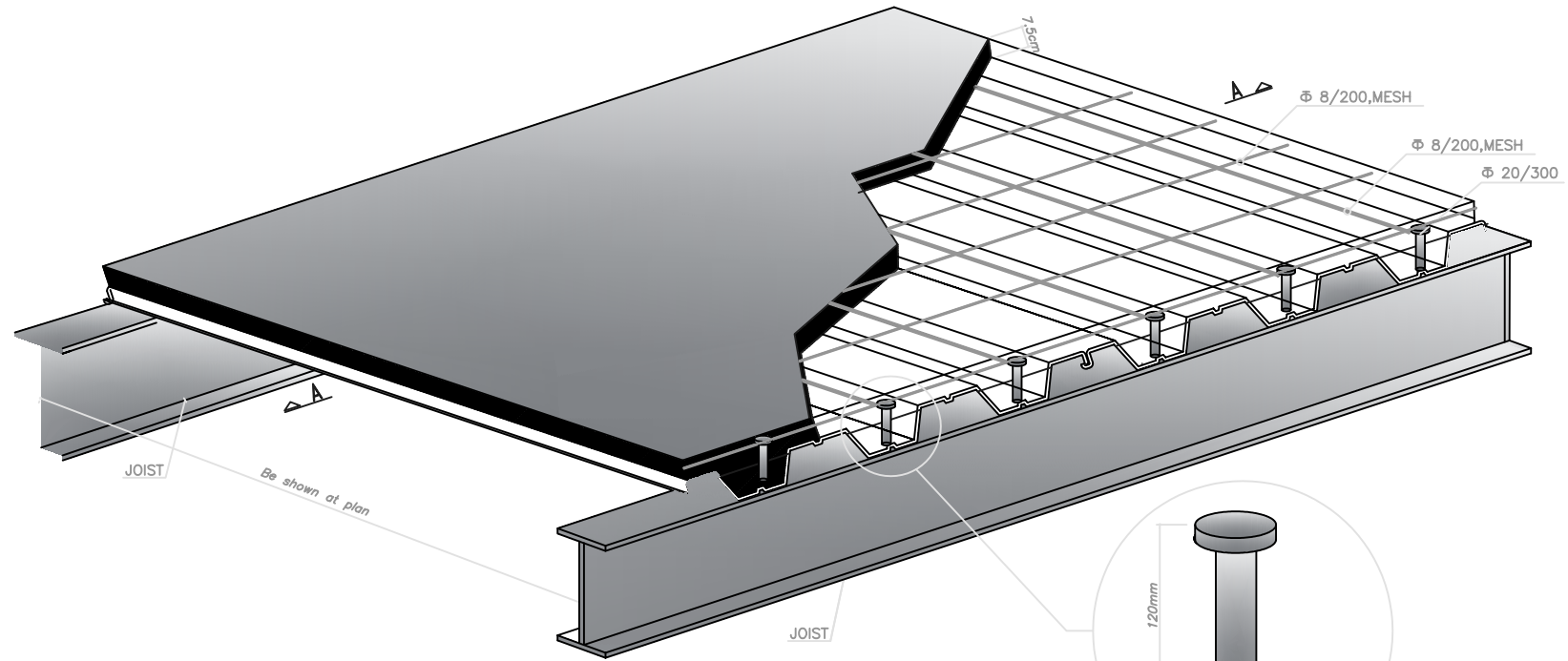
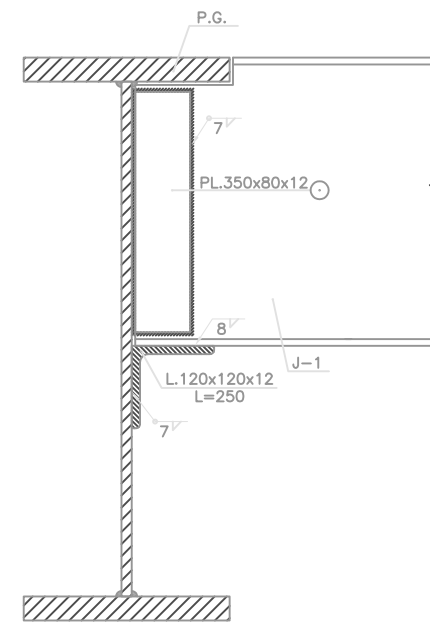


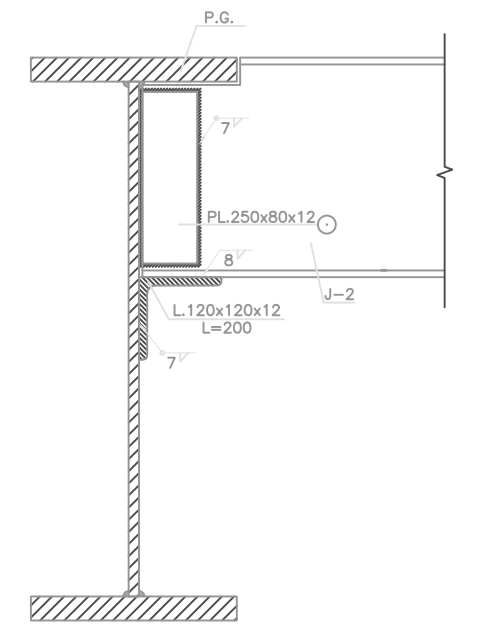
معلومات پروژه  
 PROJECT TITLE  
 عنوان نقشه  
 METAL DECK SLAB DETAILS  
 DRAWING TITLE



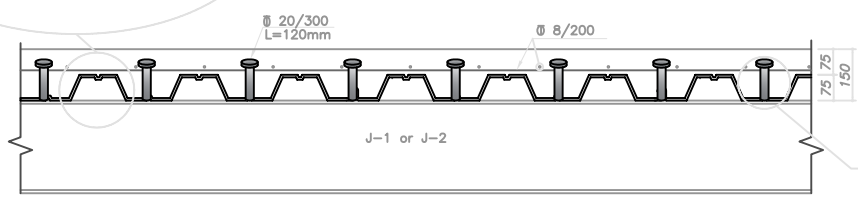
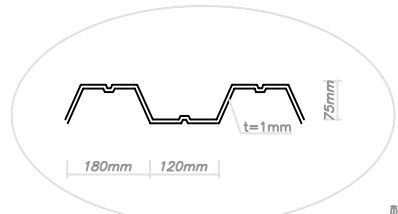
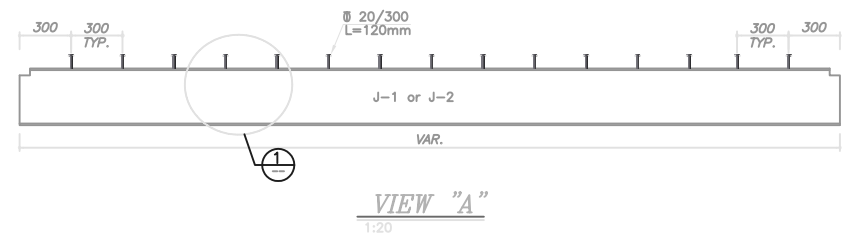
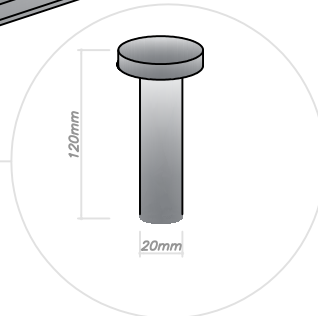
3D VIEW OF SLAB  
 N.T.S



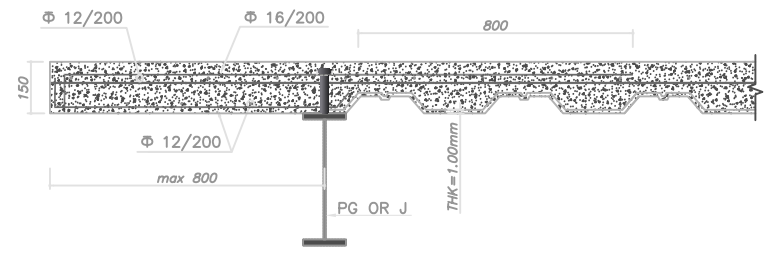
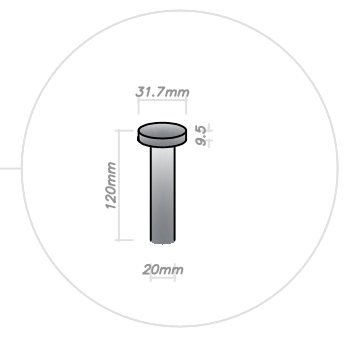
CONNECTION J-1 TO BEAM  
 1:5



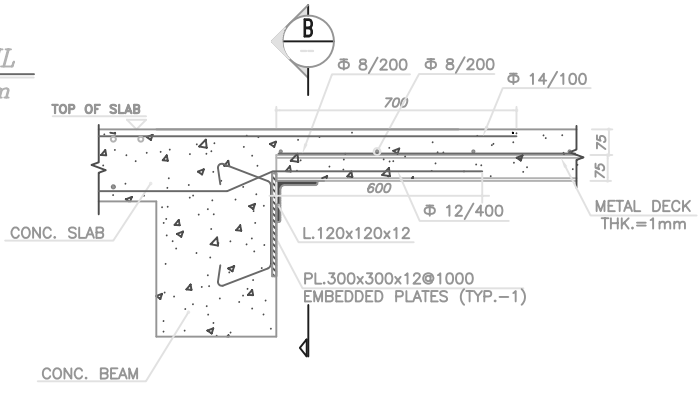
CONNECTION J-2 TO BEAM  
 1:5



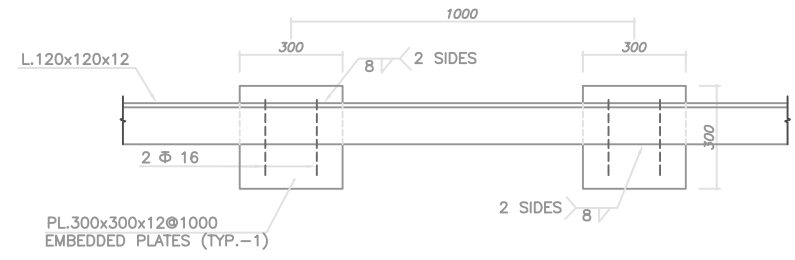
DETAIL 1  
 1:10



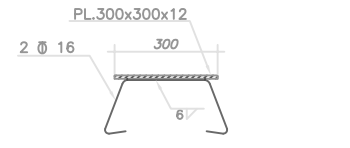
CANTILEVER SLAB DETAIL  
 SC.1:10  
 L<800mm



روش اتصال دال کامپوزیت و سازه بتنی  
 SC.1:10



SECTION B  
 SC.1:10



EMBEDDED PLATE TYP.-1  
 N.T.S

شماره نقشه DRAWING NO.	مکانی AS.NE.
تاریخ ساخت DATE	معماری ARCH.
مهندس ENGINEER	مهندس ENGINEER
مهندس ENGINEER	مهندس ENGINEER
مهندس ENGINEER	مهندس ENGINEER
مهندس ENGINEER	مهندس ENGINEER
مهندس ENGINEER	مهندس ENGINEER
مهندس ENGINEER	مهندس ENGINEER
مهندس ENGINEER	مهندس ENGINEER
مهندس ENGINEER	مهندس ENGINEER

کارفرما  
 ORDERED BY

